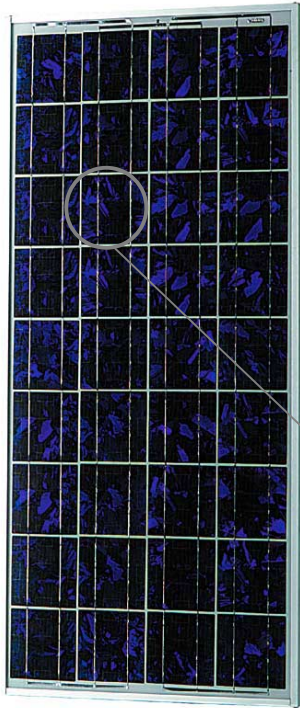
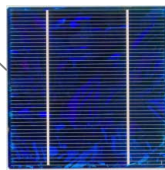


PW850-12V LARGE SCALE POWER PHOTOVOLTAIC MODULE –JBox



- Telecommunications
- Cathodic Protection
- Water Pumping
- Signaling
- Rural Electrification
- Private Residences
- Buildings integration
- Grid connected



The PW850 is made with 4 X 9 high efficiency (up to 15%) polycrystalline 5 inch cells (125mm X 125 mm), with a silicon nitride anti-reflective coating

The PW850 glass/Tedlar construction minimizes weight while providing a durable, protective environment for the solar cells. This product is configured for 12Volts system operation and meet the requirements of all photovoltaic applications.

The PW850 module uses Photowatt's multicrystalline technology. The solar cells are individually characterized and electronically matched prior to interconnection. Encapsulation beneath high transmission tempered glass is accomplished using an advanced, UV resistant thermal setting plastic. The encapsulant, ethylene vinyl acetate, cushions the solar cells within the laminate and protect the cells from etching. The rear surface of the module is completely sealed from moisture and mechanical damage by a continuous high strength polymer sheet.

This module is available in double glass technology with the PWX850, with an optimum configuration that fulfills marine and tropical environments. The PWX850, more heavy than the PW850, benefits from excellent mechanical properties and reliability thanks to its glass both sides.

EFFICIENCY WARRANTY : 25 YEARS *

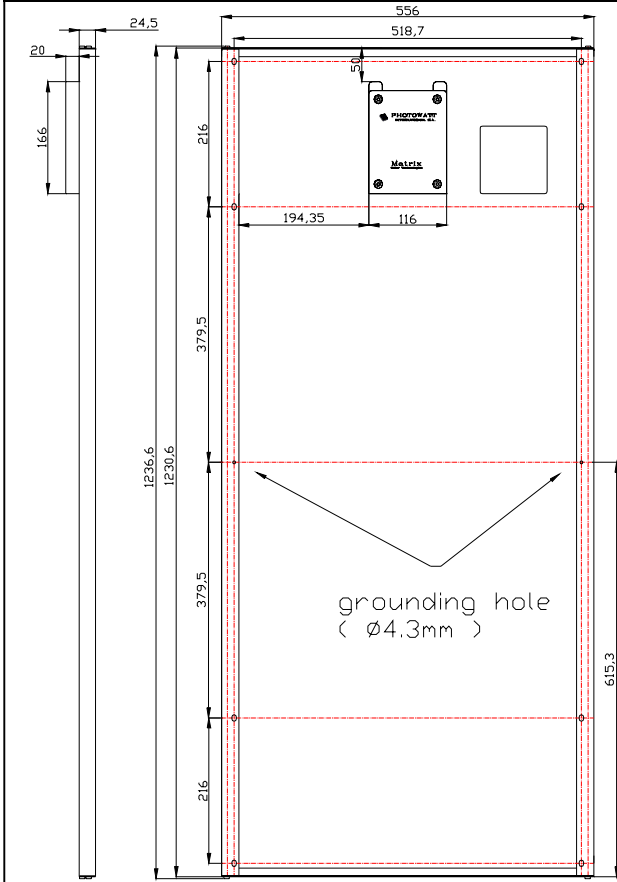
PRODUCT WARRANTY : 5 YEARS*

PW850	12 V Configuration			
Typical power	W	75	80	85
Minimum power	W	70,1	75,1	80,1
Voltage at typical power	V	17	17,3	17,6
Current at typical power	A	4,4	4,6	4,8
Short circuit current	A	4,7	5	5,2
Open circuit voltage	V	21,5	21,6	21,6
Maximum system voltage	V	600V DC		
Temperature coefficient		$\alpha = +1,46 \text{ mA}/^\circ\text{C}$; $\beta = -79 \text{ mV}/^\circ\text{C}$; $\gamma \text{ P/P} = -0,43 \text{ \%}/^\circ\text{C}$		
Power specifications at 1000 W/m ² : 25°C : AM 1,5				



*According to general warranty conditions
Datas subject to evolutions – Last update : September 2003

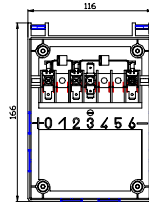
Module dimensions



- ➔ Module weight : 7,8 kg
- ➔ Module size : 1237 mm X 556 mm X 45 mm
- ➔ Packaged per 2 units - 1280 mm x 600 mm x 70 mm, 18,5 kg
- ➔ Maximum pallet size (24 modules) 1400 mm x 1000 mm x 740 mm, 232 kg

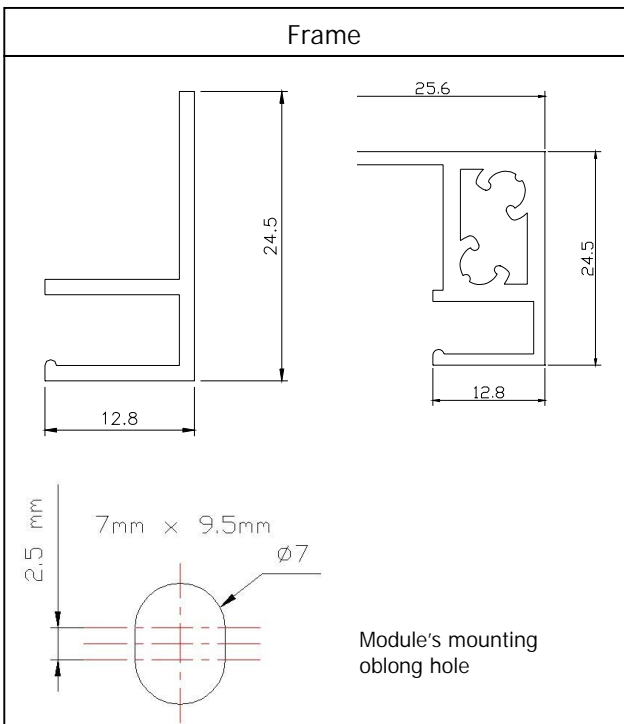


The universal junction box accepts cables from 1,5 mm² to 4 mm² (AWG 11 to AWG16)



Module protected by 2 by-pass diodes (1 by pass per 18 cells)

Frame



PW850 Characteristics Ptyp : 85 Watts

